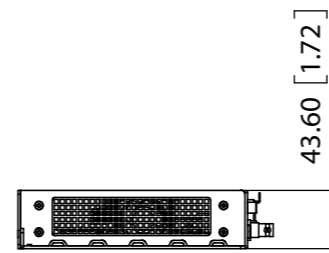
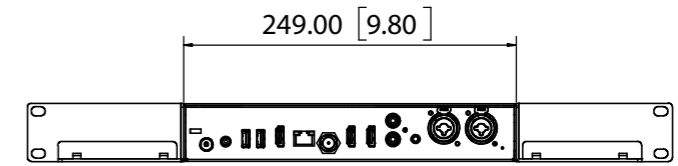


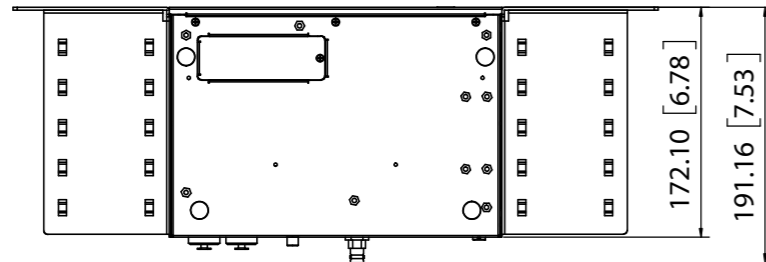
FRONT VIEW



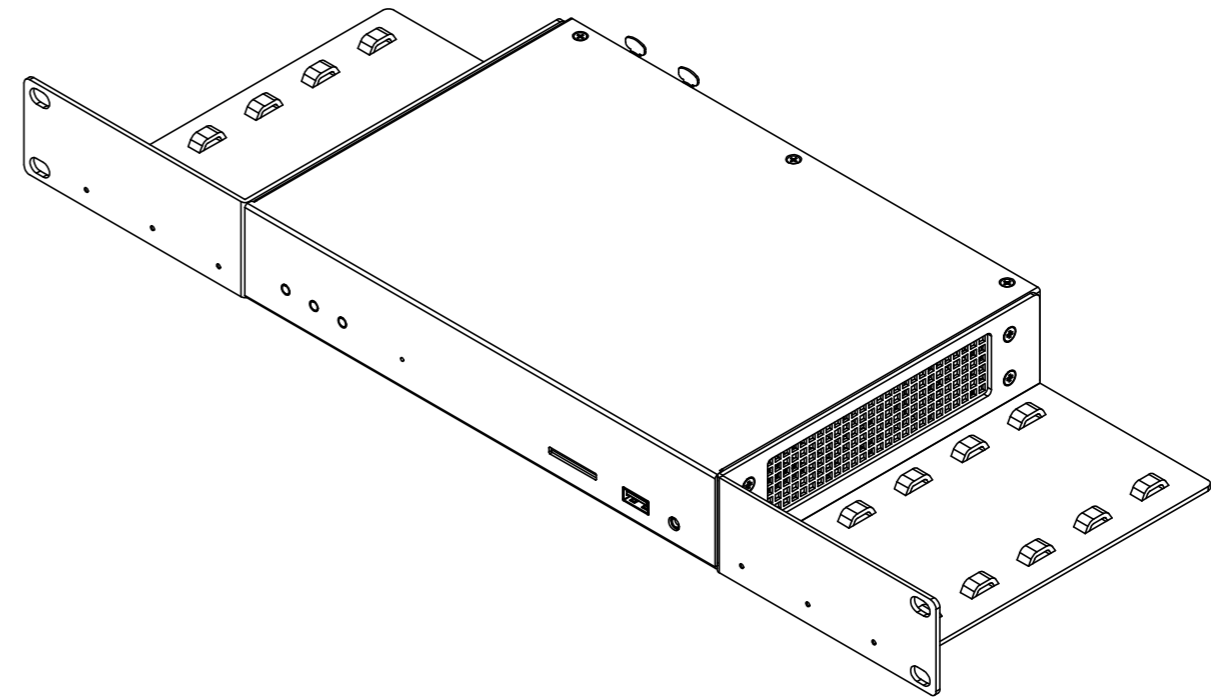
SIDE VIEW



REAR VIEW



BOTTOM VIEW

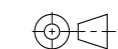


THIS WORK CONTAINS INFORMATION THAT IS CONFIDENTIAL AND PROPRIETARY TO EPIPHAN SYSTEMS INC. NO PART OF THIS DOCUMENT MAY BE USED, REPRODUCED, DIVULGED TO A THIRD PARTY, OR TRANSMITTED IN ANY FORM OR BY ANY MEANS WITHOUT THE PRIOR WRITTEN CONSENT OF EPIPHAN SYSTEMS INC. ©2019

UNCONTROLLED COPIES OF THIS WORK ARE CURRENT AT THE RELEASE DATE ONLY AND ARE NOT SUBJECT TO REVISION CONTROL.

UNLESS OTHERWISE SPECIFIED ALL DIMENSIONS ARE IN MM (INCH)

THIRD ANGLE PROJECTION



TITLE
PEARL NEXUS
CUSTOMER DRAWING

DWG NO. PART NO. ESP1882

DESIGNER APPROVAL ISSUE 1

SIZE SCALE SHEET
A0 1:2 1 OF 1