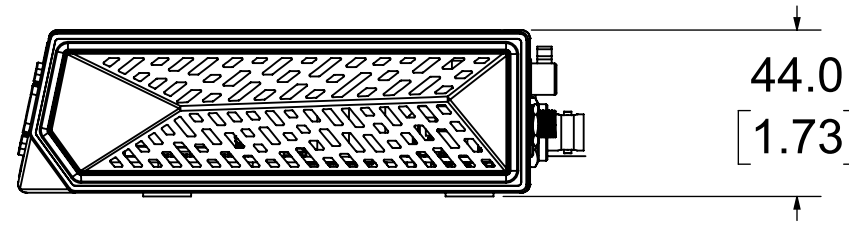
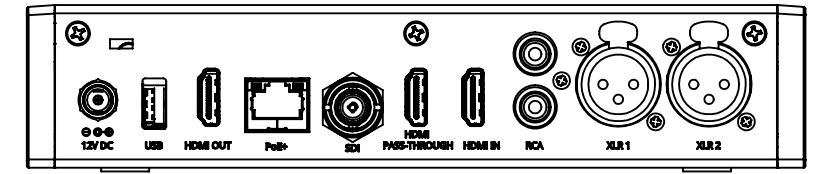


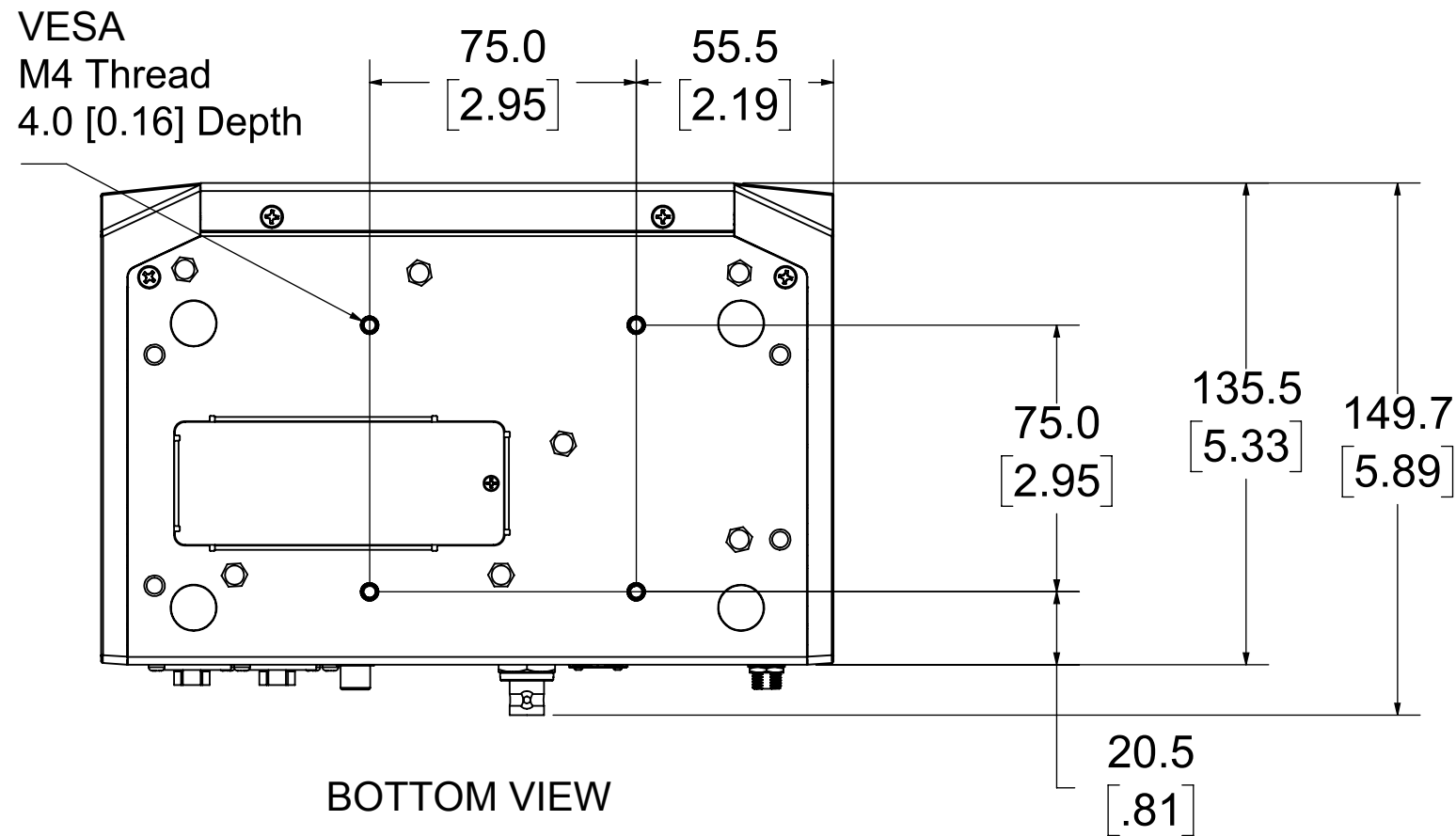
FRONT VIEW



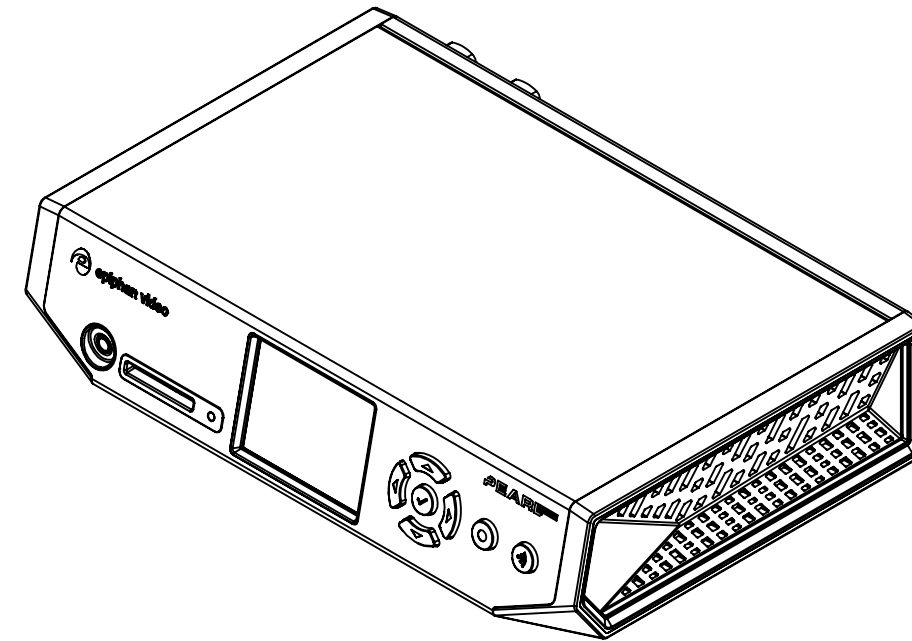
SIDE VIEW



REAR VIEW



BOTTOM VIEW



3D VIEW

<p>THIS WORK CONTAINS INFORMATION THAT IS CONFIDENTIAL AND PROPRIETARY TO EPIPHAN SYSTEMS INC. NO PART OF THIS DOCUMENT MAY BE USED, REPRODUCED, DIVULGED TO A THIRD PARTY, OR TRANSMITTED IN ANY FORM OR BY ANY MEANS WITHOUT THE PRIOR WRITTEN CONSENT OF EPIPHAN SYSTEMS INC. ©2019</p>			
<p>UNCONTROLLED COPIES OF THIS WORK ARE CURRENT AT THE RELEASE DATE ONLY, AND ARE NOT SUBJECT TO REVISION CONTROL.</p>		<p>TITLE</p> <p>PEARL NANO CUSTOMER DRAWING</p>	
<p>UNLESS OTHERWISE SPECIFIED ALL DIMENSIONS ARE IN MM [INCH]</p>		<p>DWG NO.</p> <p>30280</p>	<p>PART NO.</p> <p>ESP1505</p>
<p>THIRD ANGLE PROJECTION</p>		<p>DESIGNER</p> <p>J.HENDERSON</p>	<p>APPROVAL</p> <p>M. SCHULTZ</p>
		<p>ISSUE</p> <p>1</p>	<p>SIZE</p> <p>B</p>
		<p>SCALE</p> <p>1:2</p>	<p>SHEET</p> <p>1 OF 1</p>