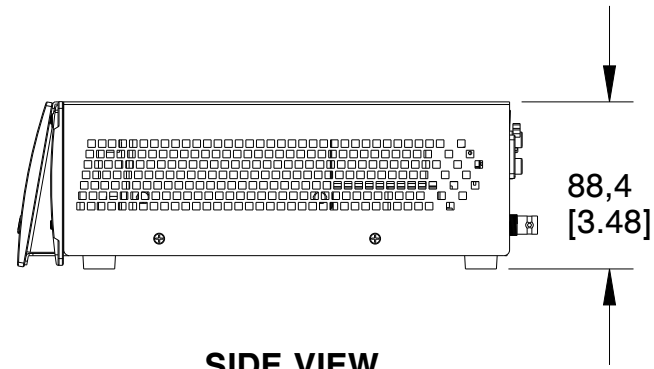
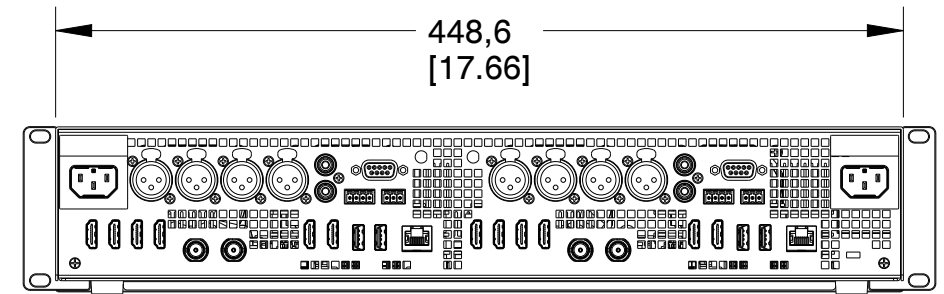


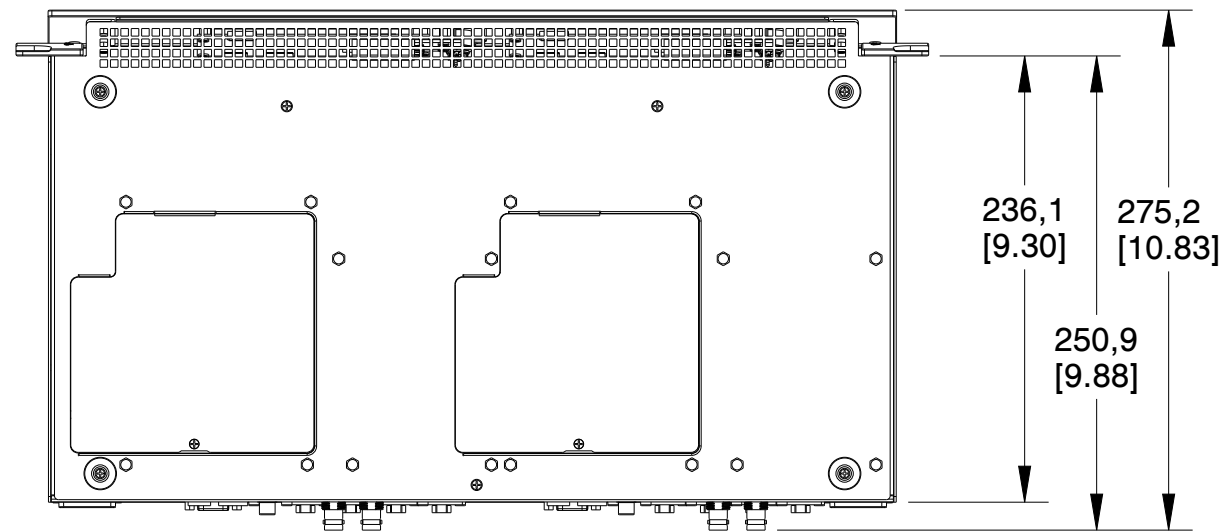
FRONT VIEW



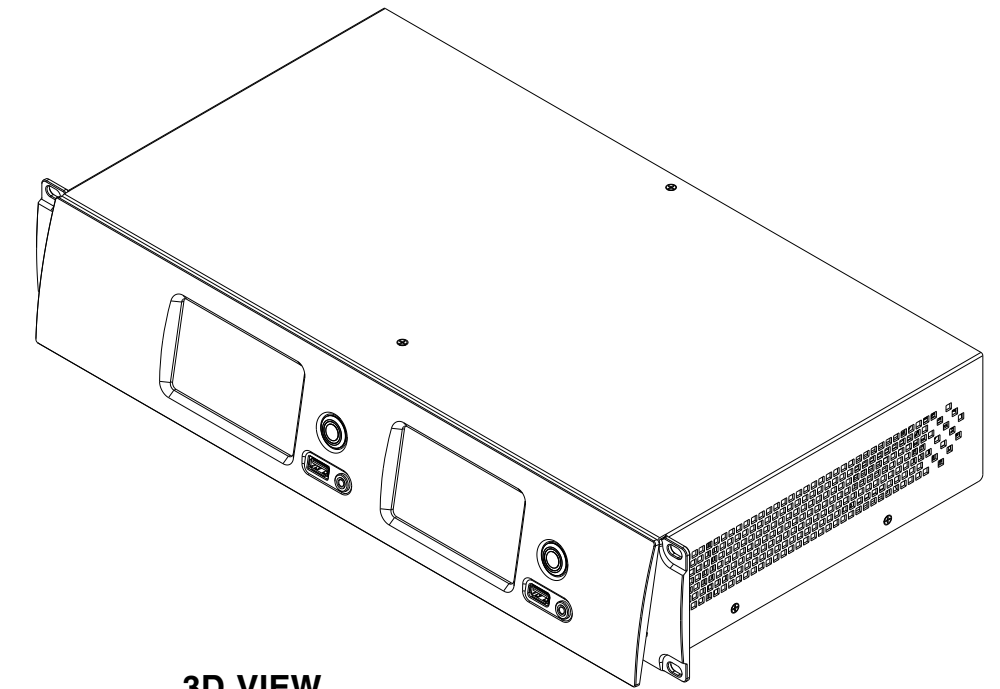
SIDE VIEW



REAR VIEW



BOTTOM VIEW



3D VIEW

| | | | |
|--|--|--|--|
| <p>THIS WORK CONTAINS INFORMATION THAT IS CONFIDENTIAL AND PROPRIETARY TO EPIPHAN SYSTEMS INC. NO PART OF THIS DOCUMENT MAY BE USED, REPRODUCED, DIVULGED TO A THIRD PARTY, OR TRANSMITTED IN ANY FORM OR BY ANY MEANS WITHOUT THE PRIOR WRITTEN CONSENT OF EPIPHAN SYSTEMS INC. ©2019</p> | | | |
| <p>UNCONTROLLED COPIES OF THIS WORK ARE CURRENT AT THE RELEASE DATE ONLY, AND ARE NOT SUBJECT TO REVISION CONTROL.</p> | | <p>TITLE</p> <p>PEARL-2 RACKMOUNT TWIN CUSTOMER DRAWING</p> | |
| <p>UNLESS OTHERWISE SPECIFIED ALL DIMENSIONS ARE IN MM [INCH]</p> | | <p>DWG NO.</p> <p>30263</p> | <p>PART NO.</p> <p>ESP1302</p> |
| <p>THIRD ANGLE PROJECTION</p> | | <p>DESIGNER</p> <p>C. ELLIOTT</p> | <p>APPROVAL</p> <p>M. SCHULTZ</p> |
| | | <p>SIZE</p> <p>B</p> | <p>SCALE</p> <p>1:4</p> |
| | | <p>SHEET</p> <p>1</p> | <p>ISSUE</p> <p>1</p> |
| | | <p>1 OF 1</p> | |